

Honors Trigonometry

Chapter 5

Finally, we get to really use those calculators!

Exam Chapter 4
 Read instructions on back of sked
 then do #1 Pg 157-158
 1 - 8, 17-24, 33 - 38 11/22

#2 Pg 168 1 - 9, 12
 # 3
 Pg 168 23 - 26
 Pg 180 1 - 3, 6, 7
 11/25

4 Pg 172 1 - 19 odd
 ignore hint on 17;
 Simplify, instead.
 Find 3rd angle using
 Law of Cos to confirm
 your work.
 11/26

Thanksgiving Vacation

Note:
 On Triangle problems we *always* solve for **all missing parts**.
 On word problems we answer using *complete and meaningful* sentences.

5
 Pg 172 2 - 20 even
 12/2

6
 Sines, Signs, Sigh-n-s
 part I
 12/3

7
 Sines, Signs, Sigh-n-s
 part II
 12/4

8
 Sines, Signs, Sigh-n-s
 part III
 12/5

9 Pg 179
 1 - 6, 8 - 10
 Pg 180 9, 10, 11
IMPORTANT LECTURE
 12/6

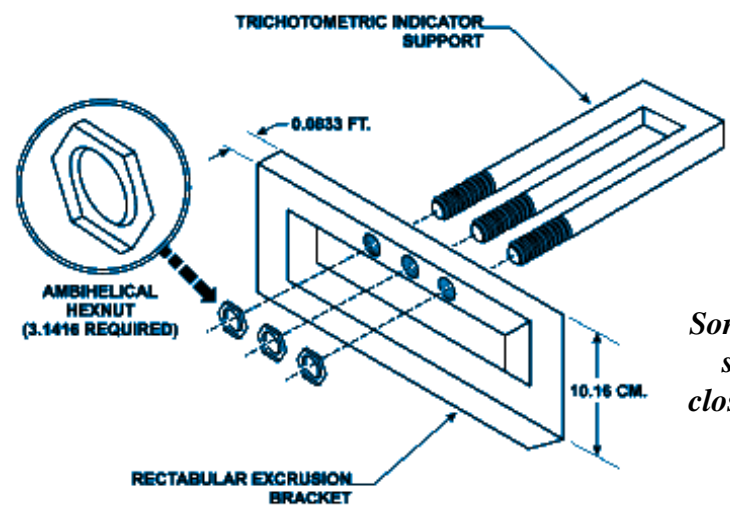
10, 11, 12
 Begin: "Which is Which?"
Important Lecture
 12/9

Continue on
"Which is Which"
 12/10

Continue on
"Which is Which"
 (Due tomorrow)

13, 14
"The Right Way"

"Right Way" Due Today



Some things are easier than they seem, but you've got to look closely to know Which is Which!

Review
 Put Last Year's Exam
 On The Chalkboards.
Come to Class
Prepared!
 12/16

EXAM

CHAPTER 5

2002

12/17